

RoHS Compliant

COAXIAL CONNECTORS

2008

CAT.NO.COAX-007A-E.FEB.2008



COAXIAL
CONNECTORS

Japan Aviation Electronics Industry, Ltd.

- FREQUENCY RANGE TO 3GHz
- THREADED COUPLING (5/8-24UNEF)

N Series

N series coaxial connectors are middle size with threaded coupling, conforming to the general purpose standards (IEC60169-16) . Applicable frequencies : from DC up to 3GHz. High performance with a VSWR (voltage standing wave ratio) of 1.2 or less.

- A wide variety of products enable various mounting styles.
- Environmental rugged construction.
- A high degree of reliability provides stable electric continuity and high frequency performance.
- Applications : Base Station for Mobile Communications, Communications Equipment, Measuring Instruments



SPECIFICATIONS

Characteristic Impedance	50Ω
Frequency Range	DC to 3GHz
D. W. Voltage	AC500Vr.m.s. (1minute)
Insulation Resistance	500 megohms min. (DC500V)
Contact Resistance	Center Contacts : 10 milliohms max. Outer Contacts : 10 milliohms max.
V. S. W. R.	1.2 max. (DC to 3GHz)
Applicable Cables	1.5D-V, 1.5D-W, 2.5D-V, 5D-V, UT141, UT85

MATERIALS/FINISHES

Description	Materials/Finishes
Contacts	Copper Alloy/Gold Plated over Nickel
Insulator	PTFE
Shell	Copper Alloy/Nickel Plated Part of N00H005DA2,N00H004DB2 : Copper Alloy/Gold Plated over Nickel
Coupling Nut	Copper Alloy/Nickel Plated
Gasket	Silicon Rubber (Brick Red)
C-ring	Copper Alloy/Nickel Plated
O-ring	NBR and Silicon Rubber
Sleeve	Copper Alloy/Nickel Plated N00A001DA2 : Gold Plated over Nickel
Ferrule	Copper Alloy/Nickel Plated
Hexagon Nut	Copper Alloy/Nickel Plated
Toothed Lock Washer	Stainless Steel

Products applicable up to about 3 GHz are available. For detail, please consult us.

In addition to independent cable application type, we also harness products which satisfy your specification are available. Refer to pages 109 to 111 for details.

Guide to Operation Manuals

When using any of these products, please confirm the following operation manuals.

- For 1.5D-V and 1.5D-W cables : JAHL-2073-1
- For 2.5D-V cables : JAHL-2073-2
- For 5D-V cables : JAHL-2073-3
- For 0.141 and 0.085 inch Semi-flexible cables : JAHL-2073-4

N Series

TYPES AND COMBINATIONS

Receptacle

●Panel Mount · Straight
P/N : 4 Hole Mount · N00T001D00



Jack

●Bulkhead · Straight
P/N : N00K00※D37



●Bulkhead · Right-angle
P/N : N00L001D13



●Panel Mount · Straight
P/N : 4 Hole Mount · N00H00※D**



Dust Cap (For Receptacle & Jack)



See page 49

Plug

●Straight
P/N : N00A※D**



●Right-angle
P/N : N00B00※D**



Adapter



Various adapters are available.
See pages 93 to 107.

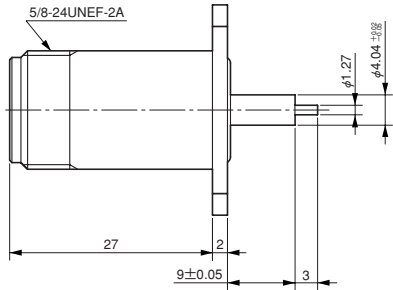
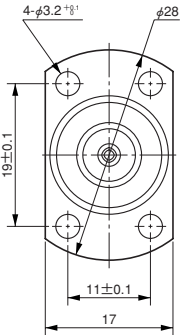
RECEPTACLE

Panel Mount Type

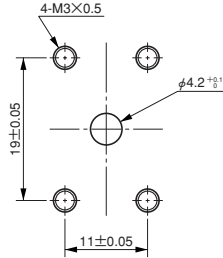
Interchangeable with PLUG (48 Page)

Dimensions in millimeters

Straight · Four-hole Mount
Part Number : N00T001D00



PANEL MOUNTING HOLE PATTERNS (REF.)



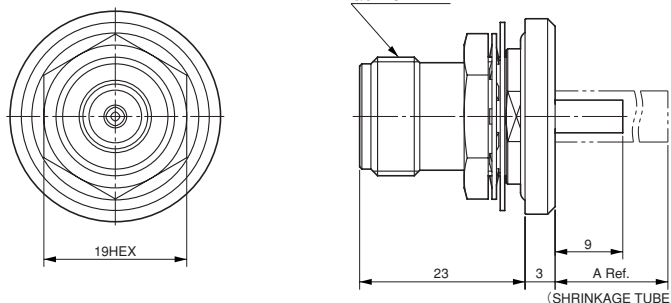
N Series

JACK Bulkhead Type

Interchangeable with PLUG (48 Page)

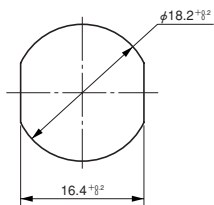
Dimensions in millimeters

■Straight



(Note) The picture on the above shows the N00K001D37.
The Shapes varies slightly for the N00K002D37.

PANEL MOUNTING HOLE PATTERNS (REF.)
(PANEL THICKNESS : 2 to 4mm)



■Part Number/Dimensions

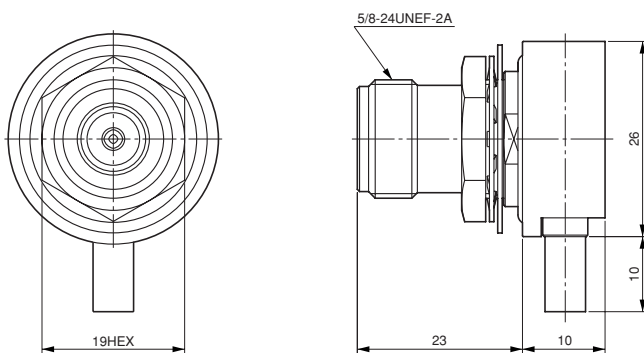
Cable Type (Equivalent)	Part Number	A Ref.
1.5D-2V	N00K001D37	—
1.5D-2W	N00K002D37	20

(Note) Procedure for wire connection...See pages 113 to 120

■Right-angle Part Number : N00L001D13

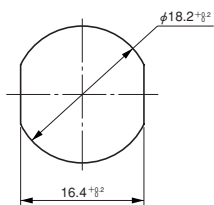


Applicable Cables : 2.5D-2V Equivalent



(Note) Procedure for wire connection...See pages 113 to 120

PANEL MOUNTING HOLE PATTERNS (REF.)
(PANEL THICKNESS : 2 to 4mm)



JACK
Panel Mount Type

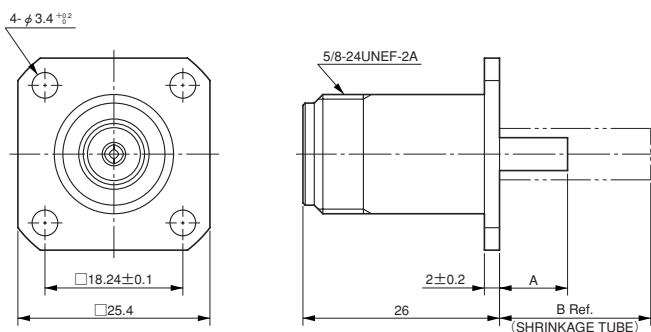
Interchangeable with PLUG (48 Page)

Dimensions in millimeters

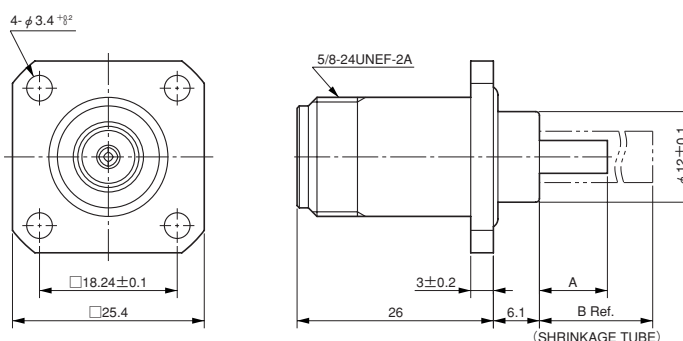
Straight · Four-hole Mount



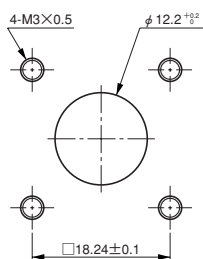
Without panel side O ring



With panel side O ring



PANEL MOUNTING HOLE PATTERNS (REF.)



(Note) The picture on the above shows the N00H001D37 (without O ring) / N00H006D37 (with O ring).
The shapes of other models vary slightly.

Part Number/Dimensions

Cable Type (Equivalent)	Part Number	Panel Side O Ring	A	B Ref.
1.5D-2V	N00H001D37	×	9	—
	N00H006D37	○	9	—
1.5D-2W	N00H002D37	×	9	20
	N00H007D37	○	9	20
2.5D-2V	N00H003D13	○	10	—
0.141 inch Semi-flexible	N00H005DA2	○	5	15
0.085 inch Semi-flexible	N00H004DB2	○	5	13

(Note) Procedure for wire connection...See pages 113 to 120

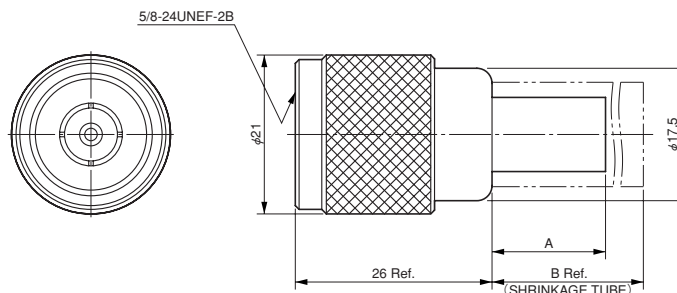
N Series

PLUG

Interchangeable with RECEPTACLE (45 Page) & JACK (46, 47 Page)

Dimensions in millimeters

Straight



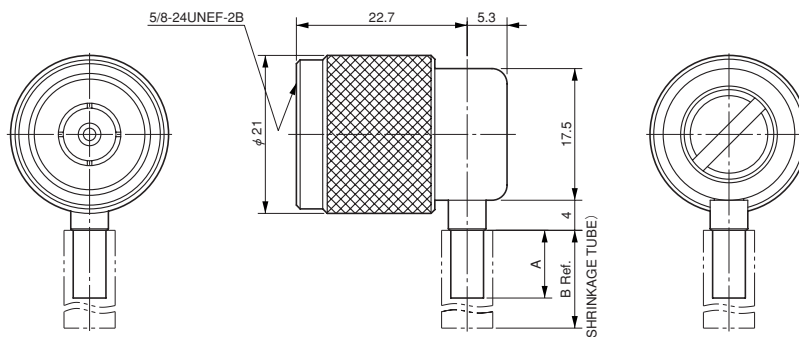
(Note) The picture on the right shows the N00A002D51.
The shapes varies slightly for the N00A001DA2.

Part Number/Dimensions

Cable Type (Equivalent)	Part Number	A	B Ref.
5D-2V	N00A002D51	15	30
0.141 inch Semi-flexible	N00A001DA2	5	—

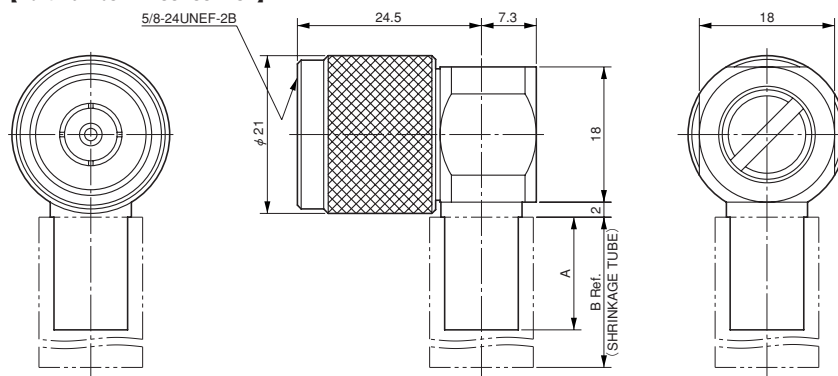
(Note) Procedure for wire connection...See pages 113 to 120

Right-angle



(Note) The picture on the above shows the N00B001D37. The shapes of other models vary slightly.

[Part Number : N00B004D51]



Part Number/Dimensions

Cable Type (Equivalent)	Part Number	A	B Ref.
1.5D-2V	N00B001D37	9	—
1.5D-2W	N00B002D37	9	20
2.5D-2V	N00B003D13	10	—
5D-2V	N00B004D51	15	30

(Note) Procedure for wire connection...See pages 113 to 120

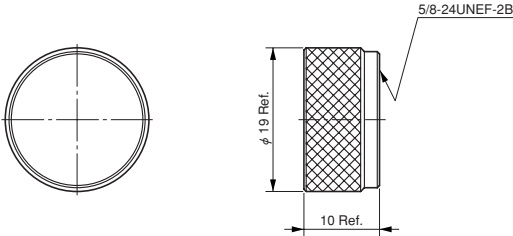
■ DUST CAP (For Receptacle & Jack)

Dimensions in millimeters

■ Part Number : N000D00001-R



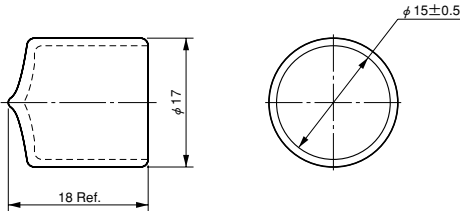
● Material : Copper Alloy



■ Part Number : N000D00000
Plastic Type



● Material : PVC



Before placing an order

- ①The values specified in this catalogue are only for reference. The products and specifications are subject to change without notice. Contact our sales staff for further information before considering or ordering any of our products. For purchase, a product specification must be agreed upon.
- ②Users are requested to provide protection circuits and redundancy circuits to ensure safety of the equipment, and sufficiently review the suitability of JAE's products to the equipment.
- ③The products presented in this catalogue are designed for the uses recommended below. We strongly suggest you contact our sales staff when considering use of any of the products in any other way than the recommended applications or for a specific use that requires an extremely high reliability.

(1)Applications that require consultation:

- (i)Please contact us if you are considering use involving a quality assurance program that you specify or that is peculiar to the industry, such as:
Automotive electrical components, train control, telecommunications devices (mainline), traffic light control, electric power, combustion control, fire prevention or security systems, disaster prevention equipment, etc.
- (ii)We may separately give you our support with a quality assurance program that you specify, when you think of a use such as:
Aviation or space equipment, submarine repeaters, nuclear power control systems, medical equipment for life support, etc.

(2)Recommended applications include:

Computers, office appliances, telecommunications devices (terminals, mobile units), measuring equipment, audiovisual equipment, home electric appliances, factory automation equipment, etc.

Japan Aviation Electronics Industry, Limited

1-19, Aobadai 3-chome, Meguro-ku, Tokyo 153-8539, Japan
Telephone: (81)3-3780-2768 Facsimile: (81)3-3780-2883

<http://www.jae.com>

<http://www.jae-connector.com>

JAE Electronics, Inc.

142 Technology Drive, Suite 100 Irvine, California 92618-2430, U.S.A.
Telephone: (1)949-753-2600 Facsimile: (1)949-753-2699
(800)JAE-PART (523-7278) Toll free in U.S.A. except in California and Alaska

JAE Europe, Ltd.

Coliseum Business Center, Riverside Way, Camberley, Surrey GU15 3YL, U.K.
Telephone: (44)1276-404000 Facsimile: (44)1276-404010

JAE Taiwan, Ltd. <Taipei Branch Office>

4F-1, No.88, Sec.2, Chung Hsiao E.Rd., Taipei, Taiwan, R.O.C.
Telephone: (886)2-2396-7676 Facsimile: (886)2-2392-5929

JAE Hong Kong, Ltd.

Suites 1407-11,14/F., Tower2, The Gateway, 25 Canton Road,
Tsimshatsui, Kowloon, Hong Kong
Telephone: (852)2723-7782 Facsimile: (852)2723-9028

JAE Shanghai Co., Ltd.

RM1407, Shanghai Mart 2299 Yanan Road (West) Shanghai, 200336 P.R.C.
Telephone: (86)21-6236-0322 Facsimile: (86)21-6236-1292

JAE Singapore Pte Ltd.

33 Tannery Lane, #02-01 Hoesteel Industrial Building, Singapore 347789
Telephone: (65)6748-1332 Facsimile: (65)6748-2920

JAE Korea, Inc.

1602, City Air Tower, 159-9, Samsung-dong, Gangnam-gu, Seoul, 135-973 Korea
Telephone: (82)2-551-8959 Facsimile: (82)2-551-8958

