

NEW



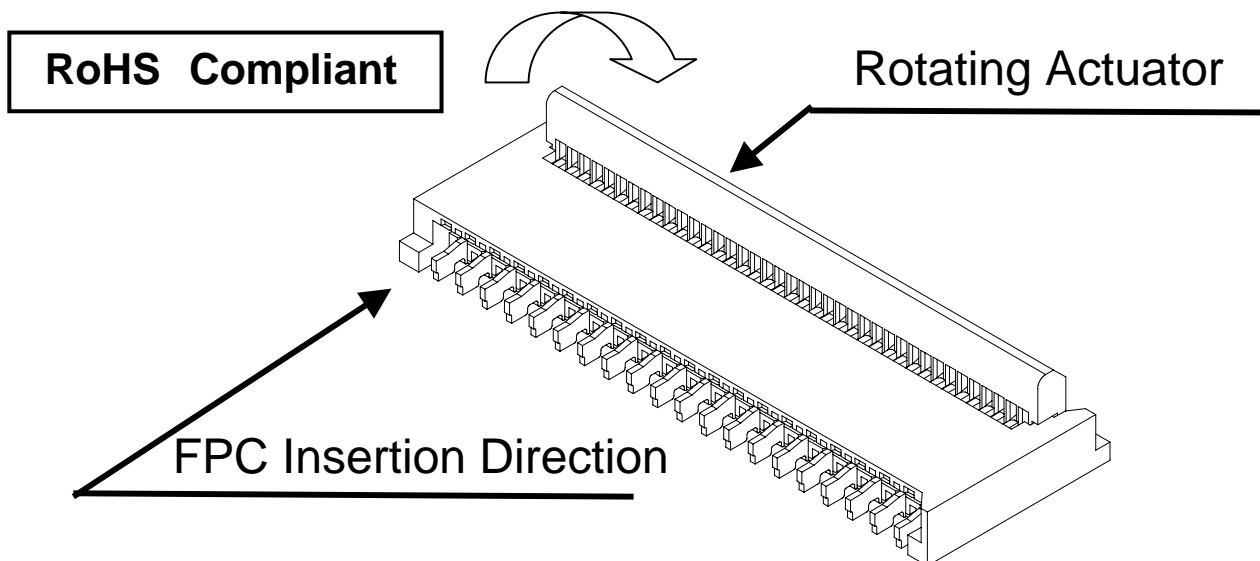
0.3mm Pitch Upper Contact One-touch connector for FPC

CONNECTOR

MB-0154-4

FB8 Series

October 2007



< Outline >

The FB8 Series are upper contact 0.3-mm pitch one-touch FPC connectors for compact and small portable devices such as mobile PCs, PDAs, LCDs and mobile phones.

Features

- Upper surface contact 0.3 mm pitch one touch FPC connector
- Easy actuator operation due to rotating mechanism
- Supply of SMT type for automatic mounting with embossed tape
- Connector with 4.3mm depth (when placed on board), 1.2 mm height, and width of $0.3(N-1)+1.6\text{mm}$ to save space
(N= Number of positions)
- Contact with solder wicking countermeasure

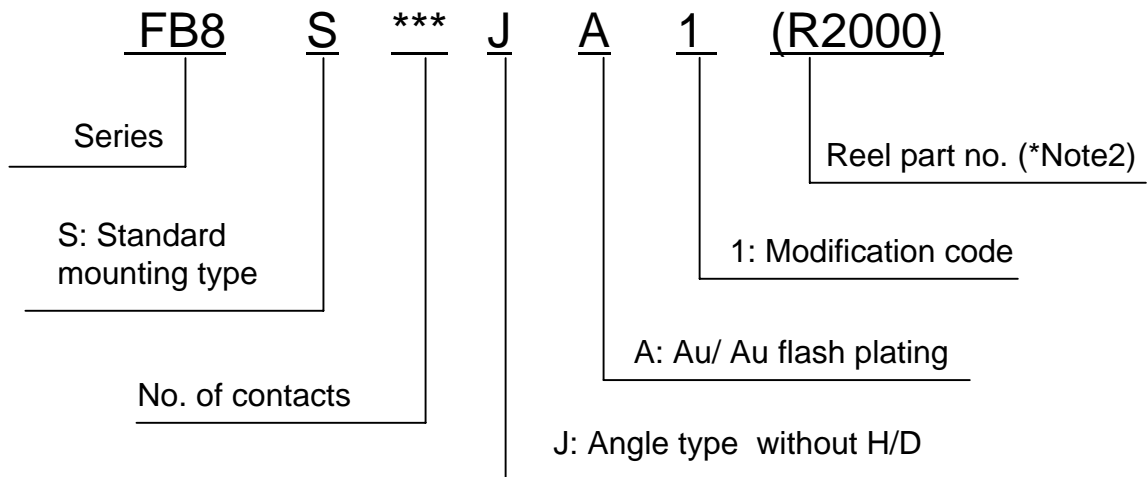
General Specification

- | | |
|--|--|
| ■ No. of contacts : 17, 23, 25, 29, 31, 33,
35, 39, 41, 45, 51 pos. | ■ Rated current: 0.35A per pos. |
| ■ Contact resistance: 20m ohm max. | ■ Rated voltage: AC, DC 50V per pos. |
| ■ Dielectric withstanding voltage :
DC250V per minute | ■ Insulation resistance: 100M ohm min. |
| ■ Operating temperature:
-40 Deg. C to +85 Deg. C | ■ Contact pitch: 0.3mm staggered pitch |
| ■ Durability: 20 times | ■ Applicable FPC: 0.3 mm pitch
thickness 0.2 ± 0.03 with lining |

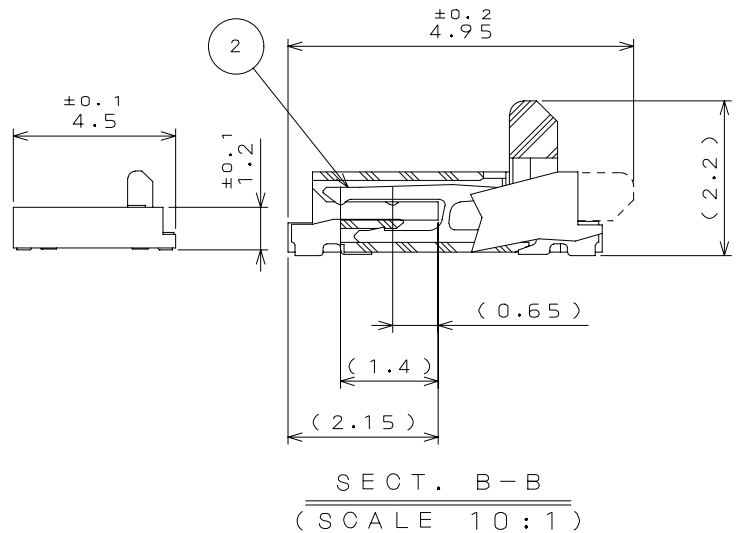
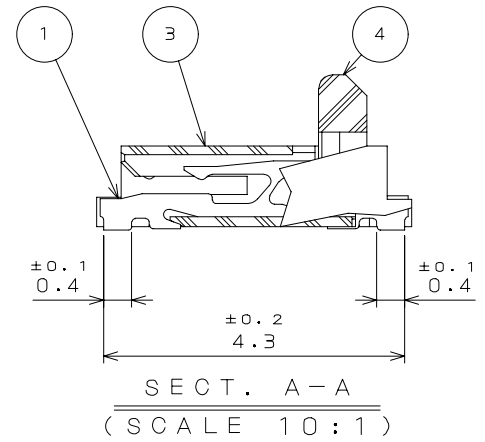
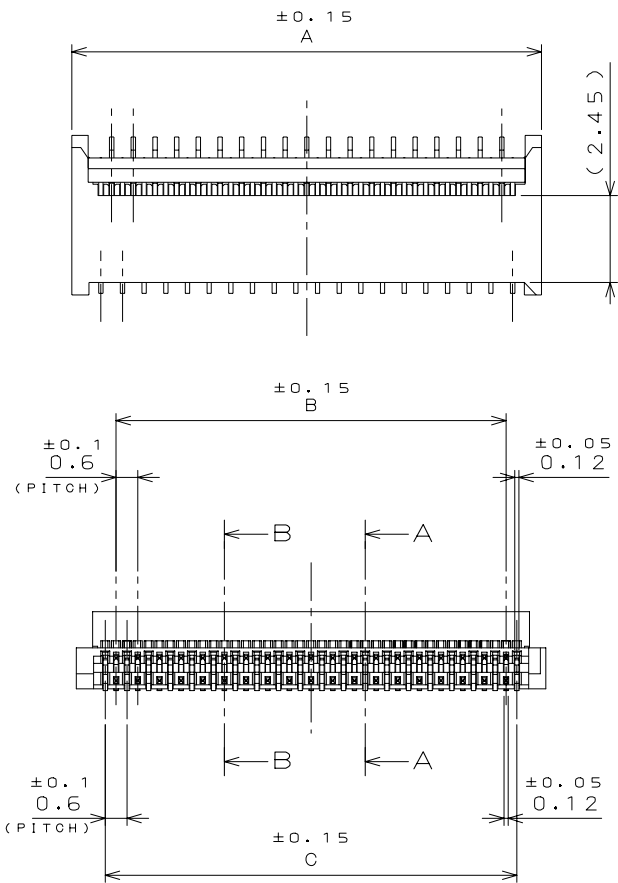
Materials and Finishes

Components	Materials / Finishes
Contact	Copper alloy / Contact area: Au plating Terminal area: Au flash plating
Base Insulator	Synthetic resin / No (UL94V-0)
Actuator	Synthetic resin / No (UL94V-0)

Ordering Information



Part Number	SJ Drawing
FB8S***JA1	SJ106679



Unit: mm

TABLE 1

No. of Contacts	A	B	C
17	6.4	4.2	4.8
23	8.2	6.0	6.6
25	8.8	6.6	7.2
29	10.0	7.8	8.4
31	10.6	8.4	9.0
33	11.2	9.0	9.6
35	11.8	9.6	10.2
39	13.0	10.8	11.4
41	13.6	11.4	12.0
45	14.8	12.6	13.2
51	16.6	14.4	15.0

